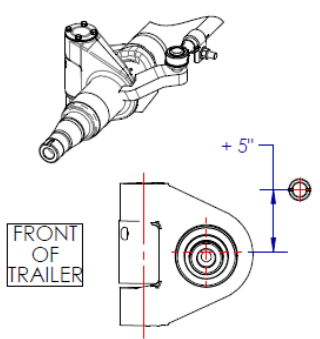
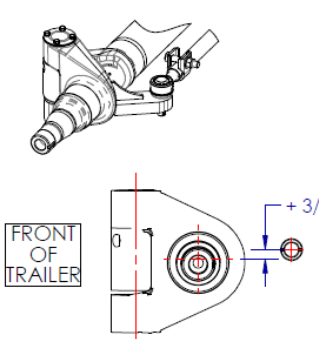
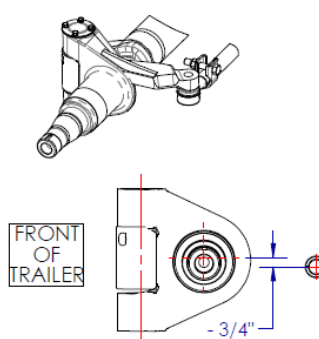
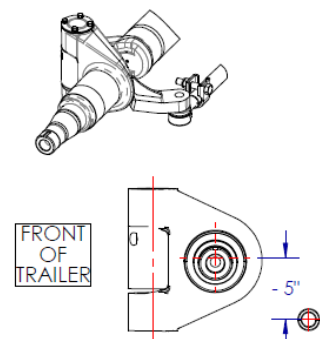
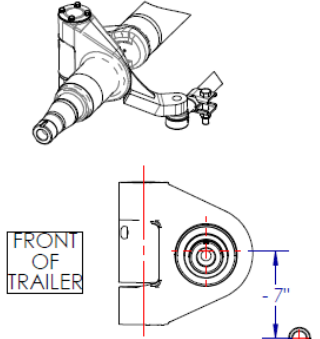
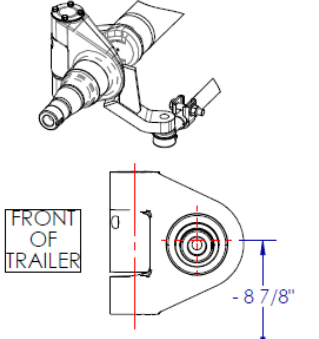
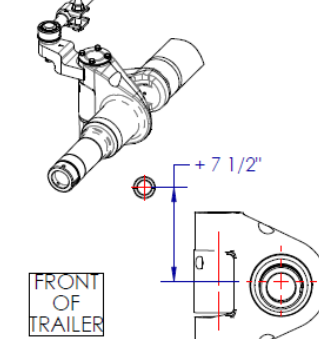
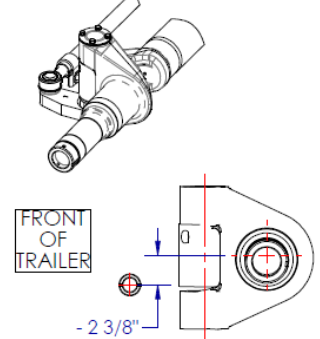


### SUBJECT: SSA TOE IN/OUT SETTINGS

With the introduction of our forward facing tie-rod SSA we have updated our Toe IN/OUT adjustment settings to include the new design.

When setting up on a **LOADED** trailer, all SSA axles should have a Toe-IN setting of +1/16", -0"

When setting up on an **UNLOADED** trailer, Toe setting varies by tie-rod height and location. Please follow the guide below for your specific axle setup. It is recommended to verify your toe setting with a loaded trailer when possible.

			
<p>+5" TIE-ROD HEIGHT TOE OUT: 1/4" to 5/16" TOE OUT ANGLE: 0.40°</p>	<p>+3/4" TIE-ROD HEIGHT TOE IN: 0" TOE IN ANGLE: 0°</p>	<p>- 3/4" TIE-ROD HEIGHT TOE IN: 1/8" to 3/16" TOE IN ANGLE: 0.22°</p>	<p>- 5" TIE-ROD HEIGHT TOE IN: 3/8" to 7/16" TOE IN ANGLE: 0.58°</p>
			
<p>- 7" TIE-ROD HEIGHT TOE IN: 1/2" to 9/16" TOE IN ANGLE: 0.76°</p>	<p>- 8 7/8" TIE-ROD HEIGHT TOE IN: 5/8" to 11/16" TOE IN ANGLE: 0.94°</p>	<p>+7 1/2" TIE-ROD HEIGHT TOE IN 1/2" to 9/16" TOE IN ANGLE: 0.76°</p>	<p>- 2 3/8" TIE-ROD HEIGHT TOE IN: 1/4" to 3/8" TOE IN ANGLE: 0.45°</p>
<div style="border: 1px solid black; padding: 5px; display: inline-block;">FORWARD FACING TIE-ROD SSA</div>			