



"MAKING IDEAS WORK !"

PRODUCT BULLETIN

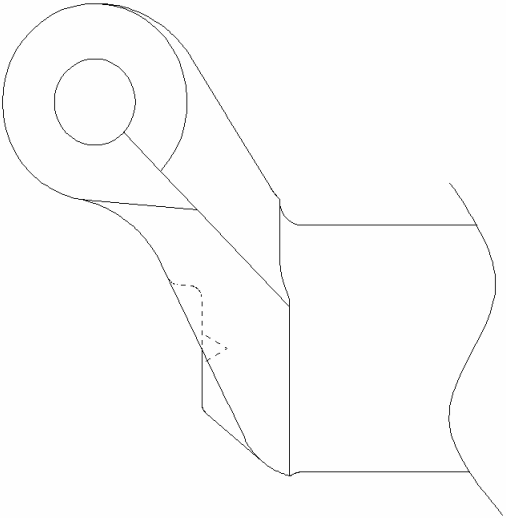
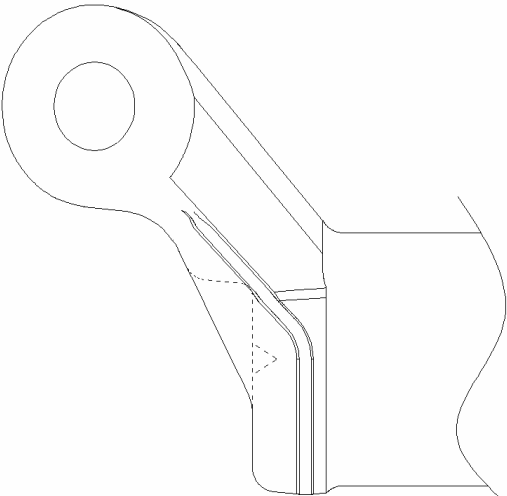

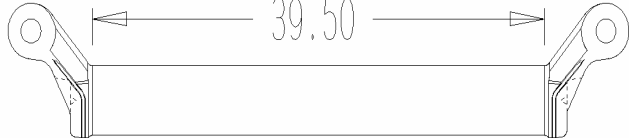
TECHNICAL UPDATE

May 23, 2006

SUBJECT: SSA Axle Beam End Change

The 20° Self Steering Axle beam end has been obsoleted and will be replaced with a beam end common to the 20°, 25°, 28° and 30° models.

Customers with approvals or who are currently using 20° SSA axles are required to adjust their proposals to reflect this change which reduces the maximum out to out spacing of the axle seats by 1.75". Note that the frame width maximum out to out remains unchanged.

Old/Unique 20° Beam End	New/Common Beam End
	
 <p>41.25</p>	 <p>39.50</p>

Please address all technical inquiries to IMT Engineering at:
1-800-663-2953 or 1-519-485-2210.