

PRODUCT BULLETIN – TECHNICAL UPDATE

December 21, 2006

SUBJECT: Kingpin Cap Replacement On First Generation SSA

Based on IMT's mission statement of continuous quality improvement, we are recommending a precautionary up-grade.

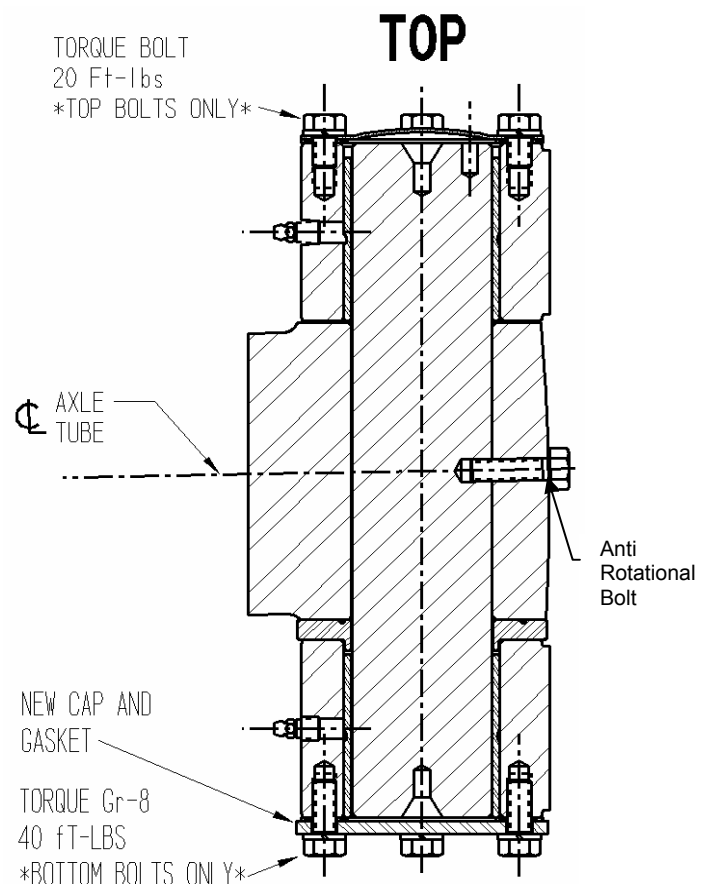
Note All Self Steer axles with "First Generation" kingpins installed. (King pins with no draw keys.) These king pins are held stationary with an anti-rotational bolt.

The bottom King Pin Caps should be replaced with the new cap supplied in the Service Kit EX700076-KIT.

Use only the Grade-8 bolts supplied, to refasten the new caps. Install the new king pin cap gaskets supplied. Replace the anti-rotational bolt. Re lubricate the king pin.

The anti-rotational bolt should be removed and replaced at every maintenance interval. Also the bottom cap should be removed and checked for wear. If wear is excessive cap should be replaced.

Lubricate the king pins when the change is complete.



Please address all technical inquiries to IMT Engineering at:
1-800-663-2953 or 1-519-485-2210.